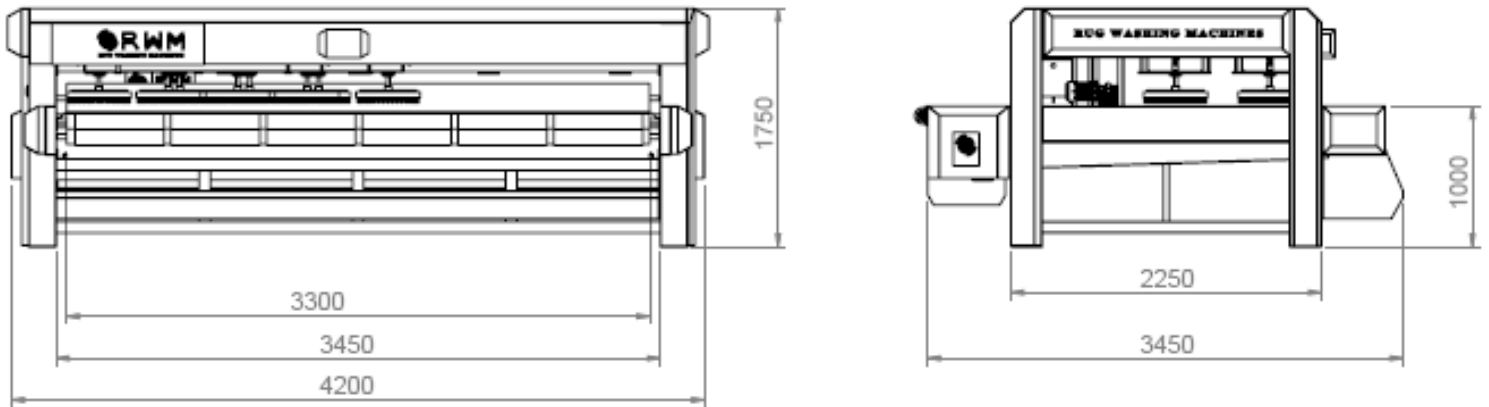


CARPET WASHING MACHINE



TECHNICAL SPECIFICATIONS (RWM3310)

Belt width:	330 cm
Belt length:	275 cm
Brushes:	10 discs (5+5)
Brush diameter:	460 mm
Speed:	196 RPM
Belt speed:	0–6 m/min
Width:	420 cm
Length:	345 cm
Height:	175 cm
Weight:	2500 kg
Material:	304 Stainless steel and galvanized sheet
Total power:	18 kW/h
Water consumption:	3–30 lt/min
Water drainage:	Yes
Control:	Automatic and manual
Roller brush:	Yes (Diameter 21 cm, length 330 cm)
Bottom washing:	Yes (Diameter 21 cm, length 330 cm)
Automatic detergent dosing:	Yes (time-controlled)
Pressurized water system and squeegee:	Yes
Works with mains water:	Yes
Rolled carpet wrapping:	Yes
Pressure adjustment by carpet thickness:	Yes (Pneumatic or electric piston)